

## Short Description

- Aluminium-alloy IP65 single point load cell
- Colorless anodized
- Suitable for pricing scales, bench scales, etc.
- Maximum platform size: 250 x 350 mm



Test certificate no. TC7868 Revision 1  
C of C no R60/2000-NL1-12.52

Certificate no. 11-012

## Available Models

Capacity	Accuracy	Full article description
2.5kg	C3 Excluded from OIML	L6D-C3-2.5kg-0.40B
3kg	C3/C4/C5	L6D-C3/C4/C5-3kg-0.40B
5kg	C3/C4/C5	L6D-C3/C4/C5-5kg-0.40B
6kg	C3/C4/C5	L6D-C3/C4/C5-6kg-0.40B
8kg	C3/C4/C5	L6D-C3/C4/C5-8kg-0.40B
10kg	C3/C4/C5	L6D-C3/C4/C5-10kg-0.40B
15kg	C3/C4/C5	L6D-C3/C4/C5-15kg-0.40B
20kg	C3/C4/C5	L6D-C3/C4/C5-20kg-0.40B
30kg	C3/C4/C5	L6D-C3/C4/C5-30kg-0.40B
35kg	C3/C4/C5	L6D-C3/C4/C5-35kg-0.40B
40kg	C3/C4/C5	L6D-C3/C4/C5-40kg-0.40B
50kg	C3/C4/C5	L6D-C3/C4/C5-50kg-0.40B

**ADN Pesage 7 RUE DU BOIS MALHAIS 78640 Saint germain de la grange – France**  
 Tel. +33 (0)1 48 63 00 76 Fax +33 (0)1 48 63 72 06  
[www.adnpesage.fr](http://www.adnpesage.fr) [contact@adnpesage.fr](mailto:contact@adnpesage.fr)

## Technical Specifications L6D

Accuracy Class		C3	OIML R60 C3	OIML R60 C4	OIML R60 C5
Output Sensitivity ( = FS )	mV/V	1.8 ± 0.2	2.0 ± 0.2		
Maximum Capacity ( E <sub>max</sub> )	kg	2.5	3, 5, 6, 8, 10, 15, 20, 30, 35, 40, 50		
Max. Number of Load Cell Intervals	n <sub>LC</sub>	3000	3000	4000	5000
Ratio of min. LC Verification Interval	Y = E <sub>max</sub> / V <sub>min</sub>	7000	10000	15000	20000
Combined Error	%FS	≤± 0.02		≤± 0.015	≤± 0.01
Creep Error (30 minutes)	%FS	≤± 0.0167		≤± 0.0125	≤± 0.01
Temperature Effect on Zero (ZTC)	%FS/10°C	≤± 0.02		≤± 0.012	≤± 0.009
Temperature Effect on Sensitivity (STC)	%FS/10°C	≤± 0.0175		≤± 0.0131	≤± 0.01
Zero Balance	%FS	≤± 2.0			
Safe Overload	%FS	150			
Ultimate Overload	%FS	200			
Maximum Deflection	mm	3kg: 0.5~0.6	5-15kg: 0.6~0.7	20-50kg: 0.6~0.8	
Eccentric Loading Error	%Ld/cm	± 0.002			
Excitation, Recommended Voltage	V	5 ~ 12			
Excitation, Maximum Voltage	V	18			
Input Resistance	Ω	406 ± 6			
Output Resistance	Ω	350 ± 3			
Insulation Resistance (50V)	MΩ	≥5000			
Compensated Temperature	°C	-10 ~ + 40			
Operating Temperature	°C	-35 ~ + 65			
Storage Temperature	°C	-40 ~ + 70			
Load Cell Weight	kg	~0.2			
Element Material		Aluminium			
Ingress Protection (acc. to EN 60529)		IP65			
Recommended Torque on Fixation Bolts	Nm	< 30kg: 6		>30kg: 10	

## Wiring

### Features:

Cable type: Shielded, 4 conductor cable , conductor AWG 26

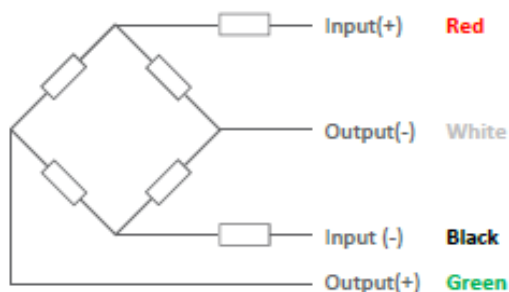
Cable diameter: Ø 3.8mm

Cable length: 0.40m

Cable jacket: PVC

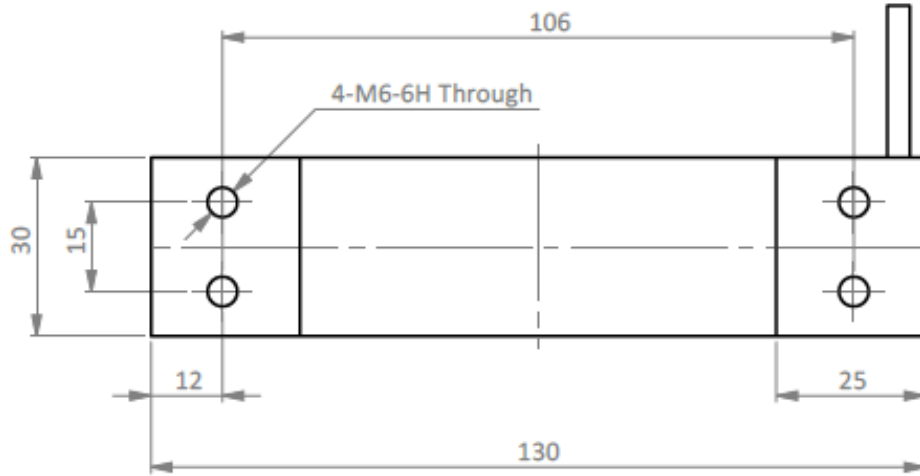
Shield not connected to element

### 4-Wire Connection Diagram



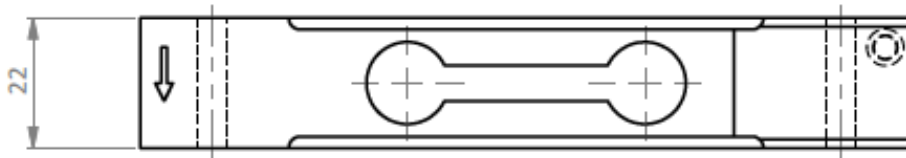
## Dimensions in mm

### Top View

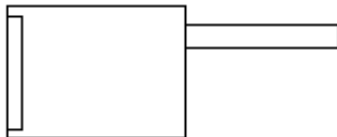


Note: Screws M6 class 8.8, screw rinsed with oil. Torque as in specifications table.

### Front View



### Side View



### Isometric View

