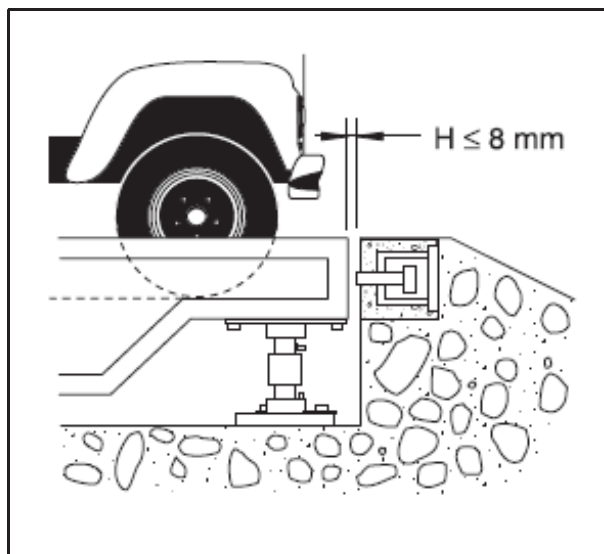




MODELE 740TXi

15t ... 60t



Compression load cell, selfcentering column

4000 divisions O.I.M.L. R60 class C

Available in **ATEX version (optional)**

Zone 0-1-2 (gas) and 20-21-22 (dust)

Simple to install

Stainless steel construction

**Hermetically welded, protection class IP 68
(EN 60529)**

**Pre-corner adjustment optimized for
multicell systems**

Lightning protection

**Applications: High capacity weighing
systems, truck scales**

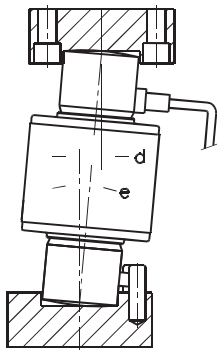
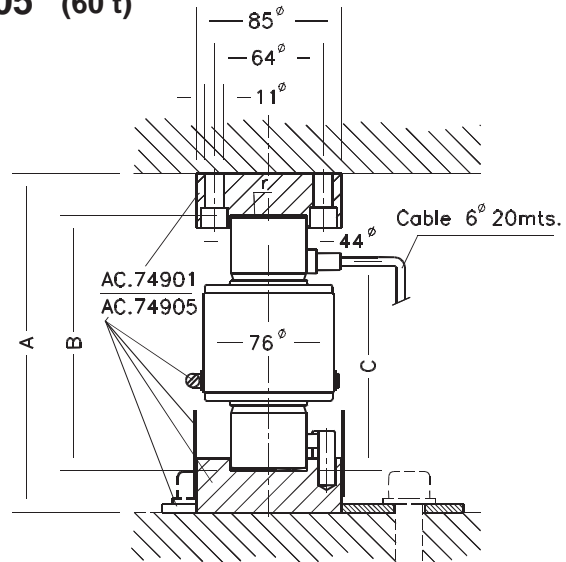
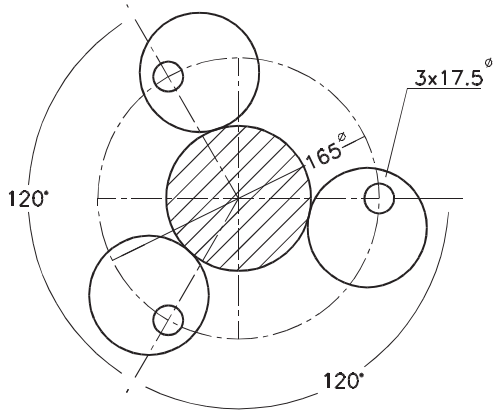


Model	Nominal capacity Ln	Accuracy class n. OIML	Minimum division vmin	Safe load limit 150 % Ln	Breaking load > 350 % Ln
740 15 t	15 t	4000	1.5 kg	22.5 t	> 52.5 t
740 20 t	20 t	4000	2 kg	30 t	> 70 t
740 25 t	25 t	4000	2.5 kg	37.5 t	> 87.5 t
740 30 t	30 t	4000	3 kg	45 t	> 105 t
740 40 t	40 t	4000	4 kg	60 t	> 140 t
740 60 t	60 t	4000	6 kg	90 t	> 210 t

MODEL 740TXi

ACC. 74901 (15...40 t)

ACC. 74905 (60 t)

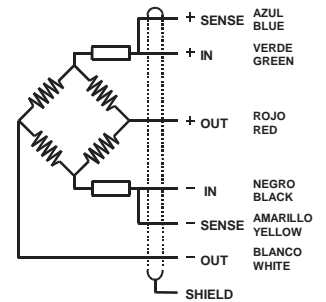


Load cells	A	B	C	d max.	e. max. perm. inclina.	r. esf. Ball r.	Transport Weight
740 15 t	200	150	123	13	5°	130	2 kg
740 20 t	200	150	123	13	5°	130	2.1 kg
740 25 t	200	150	123	13	5°	150	2.2 kg
740 30 t	200	150	123	13	5°	160	2.3 kg
740 40 t	200	150	123	13	5°	180	2.9 kg
740 60 t	260	210	153	11	3°	220	3.7 kg
Acc. 74901	---	---	---	---	---	---	3 kg
Acc. 74905	---	---	---	---	---	---	3 kg

Dimensiones en mm. Dimensions in mm.

SPECIFICATIONS			
Nominal capacities (Ln)	15-20-25-30-40-60	t	
Accuracy class	4000	n. OIML	
Minimum dead load	0	%Ln	
Service load	120	%Ln	
Safe load limit	150	%Ln	
Total error	< ±0.013	%Sn	
Repeatability error	< ±0.015	%Sn	
Temperature effect: on zero	< ±0.01	%Sn/5°K	
on sensitivity	< ±0.006	%Sn/5°K	
Creep error (30 minutes)	< ±0.012	%Sn	
Temperature compensation	-10...+40	°C	
Temperature limits	-30...+70	°C	
Nominal sensitivity (Sn)	2	mV/V (1)	
Nominal input voltage	10	V	
Maximum input voltage	15	V	
Input impedance	800 ±5	Ω	
Output impedance	705 ±5	Ω	
No load output	±2	%Sn	
Insulation resistance	> 5000	MΩ	
Maximum deflection (at Ln)	0.6-1	mm	

ELECTRICAL CONNECTION:



«SENSES»: 2 additional wires to the load cell when used with proper instrumentation. Use specially when long wires and wide temperature range.
SHIELD: Not connected to transducer body. maintain a constant voltage supply at

(1) Pre-corner adjustment optimized at ±0.05% by output current calibration