

Type HM9E Load Cell



Short description

- Nickel plated alloy steel IP68 dual shear beam load cell
- High accuracy
- Suitable for truck and track scales and other heavy weighing devices
- Hermetically sealed



Test certificate no. TC7810 Revision 0
C of C no R60/2000-NL1-10.15
Certificate no. 10-057A1

Available models

Capacity	Accuracy	Full article description
50Klb	C3	HM9E-C3-50K-12B
65Klb	C3	HM9E-C3-65K-12B
100Klb	C3	HM9E-C3-100K-12B
125Klb	C3	HM9E-C3-125K-12B
200Klb	C3	HM9E-C3-200K-12B

Type HM9E Load Cell

Technical specifications HM9E

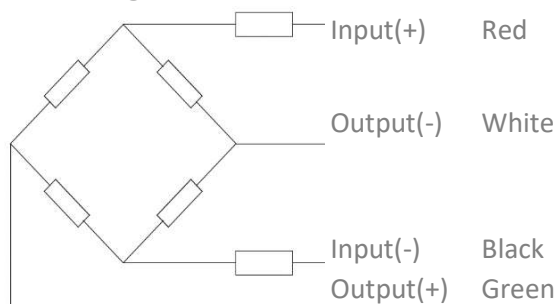
Accuracy class		OIML R60 C3		
Output sensitivity (= FS)	mV/V	3.0 ± 0.003		
Maximum capacity (E _{max})	KIb	50, 65, 100, 125, 200		
Max. number of load cell intervals	n _{LC}	3000		
Ratio of min. LC verification interval	$Y = E_{max} / V_{min}$	10000		
Combined Error	%FS	≤± 0.0230		
Minimum dead load	Of E _{max}	0%		
Safe overload	of E _{max}	150 %		
Ultimate overload	of E _{max}	300 %		
Zero balance	of FS	< ± 1.0 %		
Excitation, recommended voltage	V	5 ~ 12		
Excitation maximum	V	18		
Input resistance	Ω	700 ± 7		
Output resistance	Ω	703 ± 4		
Insulation resistance	MΩ	≥5000 (at 50VDC)		
Compensated temperature	°C	-10 ~ +40		
Operating temperature	°C	-35 ~ +65		
Storage temperature	°C	-40 ~ +80		
Element material		Nickel plated alloy steel		
Ingress Protection (acc. to EN 60529)		IP68		
ATEX classification (optional)		II1G Ex ia II1C T4	II1D Ex iaD 20 T73°C	II3G nL IIC T4

Wiring

Features:

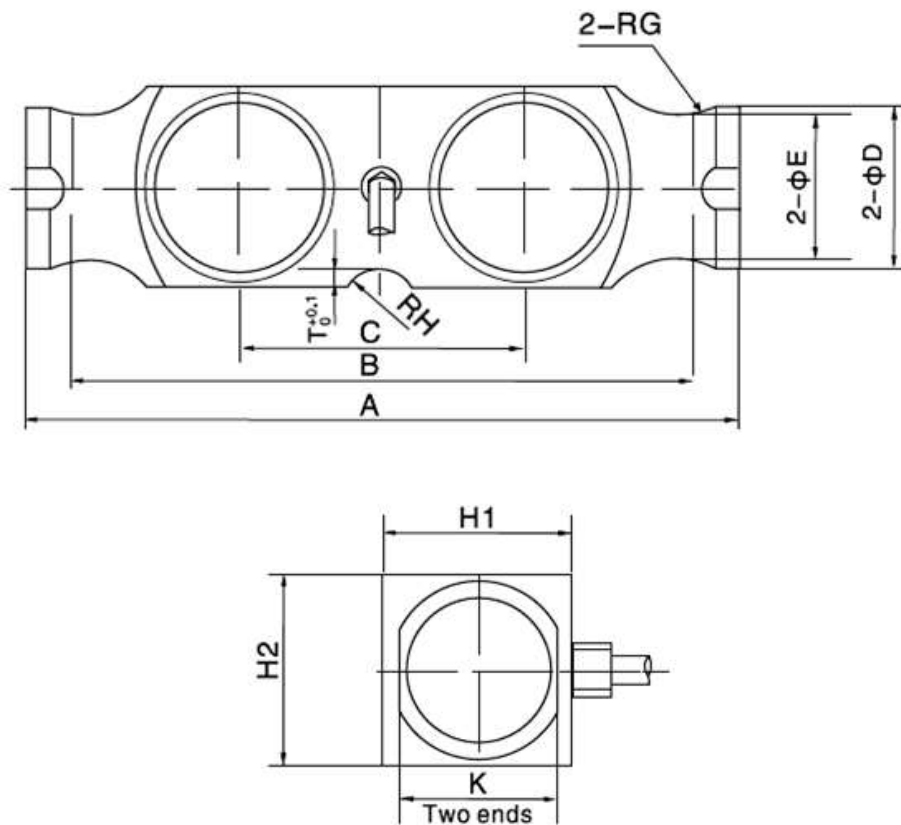
- Shielded, 4 conductor cable
- Cable diameter: Ø8mm
- Standard cable length: 12m
- Shield not connected to element

4-wire diagram



Type HM9E Load Cell

Dimensions in mm



Dimension Capacity	A	B	C	ϕD	ϕE	RG	RH	T	H1	H2	K
50Klb-125Klb	260.5	215.9	101.6	61	52.32	25.4	25.4	7	76	76.2	55.9
200Klb	304.8	254	111.8	70	59.69	38.1	38.1	10	86.1	86.36	63.5